

Positio n	Article No.	Description	Quanti ty	Length [mm]	Weight [kg]	Cutting Type
Membri						
1	3696021	-Channel MQ-21 D 6m	1	1049	3.01	N
2	3696021	-Channel MQ-21 D 6m	1	610	1.75	N
3	3696021	-Channel MQ-21 D 6m	1	1089	3.12	N
4	3696021	-Channel MQ-21 D 6m	2	569	3.26	N
5	3696021	-Channel MQ-21 D 6m	1	1090	3.13	N
6	3696021	-Channel MQ-21 D 6m	1	1060	3.04	N
7	3696021	-Channel MQ-21 D 6m	1	2113	6.06	N
8	3696021	-Channel MQ-21 D 6m	1	2050	5.88	N
9	3696021	-Channel MQ-21 D 6m	1	2072	5.94	N
10	3696021	-Channel MQ-21 D 6m	1	624	1.79	N
11	3696021	-Channel MQ-21 D 6m	1	1303	3.74	N
12	3696021	-Channel MQ-21 D 6m	1	388	1.11	N
13	3696011	-Channel MQ-21 D 3m	1	1301	3.78	N
14	3696011	-Channel MQ-21 D 3m	3	1018	8.87	N
Connettori						
15	3696584	-hole Angle MQW-4	4	-	1.02	-
16	369641	Channel tie MQV-3/3 D	3	-	1.26	-
17	369640	Channel tie MQV-3/2 D	7	-	4.06	-
18	3696552	-hole Angle MQW-Q2	2	-	0.40	-
19	369642	Channel tie MQV-4/3 D	3	-	2.10	-
Altri						
20	21848 50	Channel connector MQN-CP	63	-	4.35	-

Disclaimer

All rights reserved for Hilti. Design refers to Hilti items and may not be transferred to products of other manufacturers. Loading and design criteria provided by Hilti engineer or customer are assumed accurate and not verified within execution. Hilti technical documentation to be used as basis for item selection. Any modification may alter performance and must be evaluated by Hilti engineer or customer.

General notes

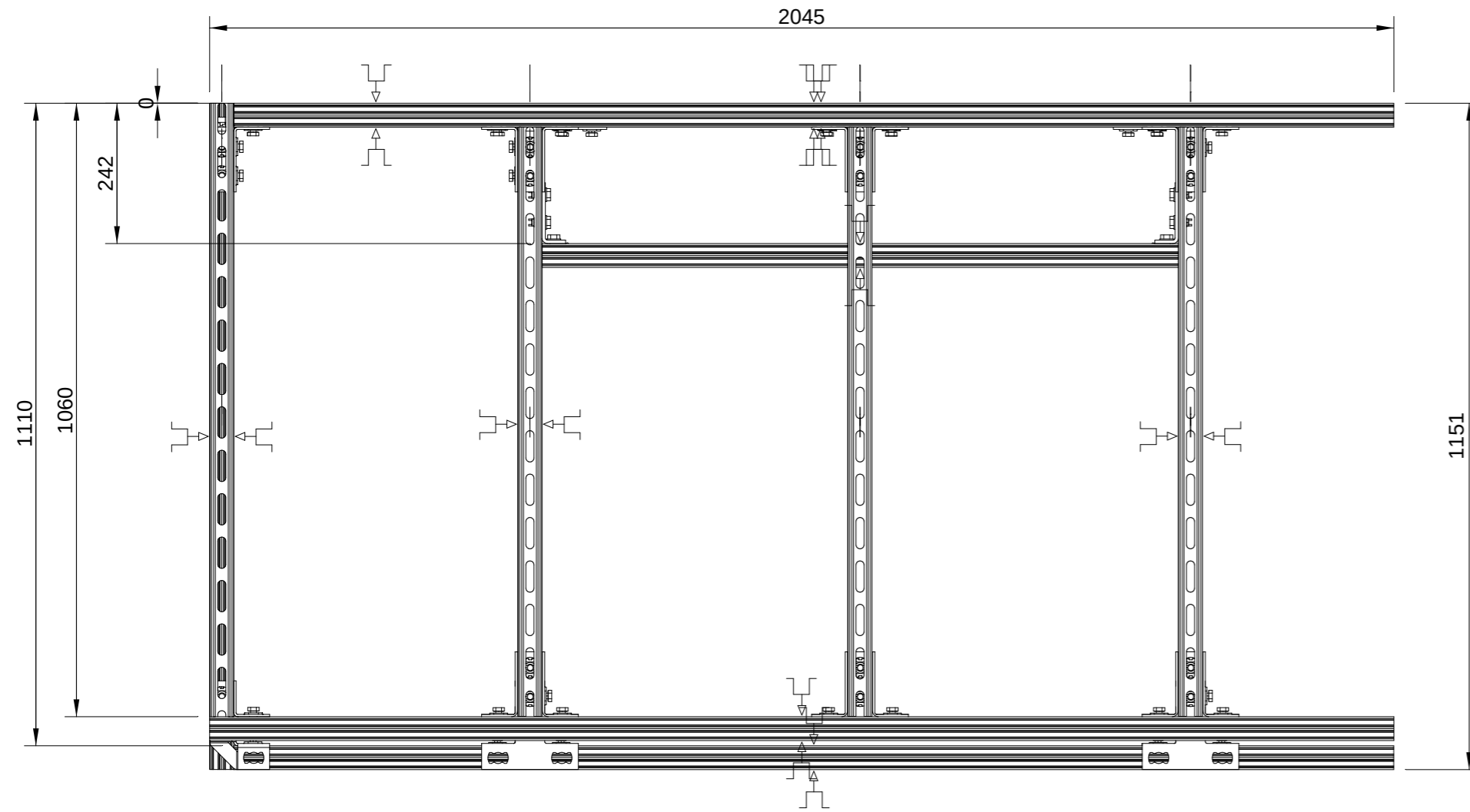
- Dimensions are in millimeters unless otherwise indicated.
- Cutting and assembly tolerance is +/- 5mm unless otherwise indicated.
- Item numbering does not correspond with assembly sequence.
- Refer to Instructions for Use for correct installation.
- Auxiliary dimensions are represented in italic, small fonts.
- Check dimensions are represented in bold big fonts.
- Not to scale dimensions are represented in underlined fonts.
- CT - cutting type.
- CT - channel opening.



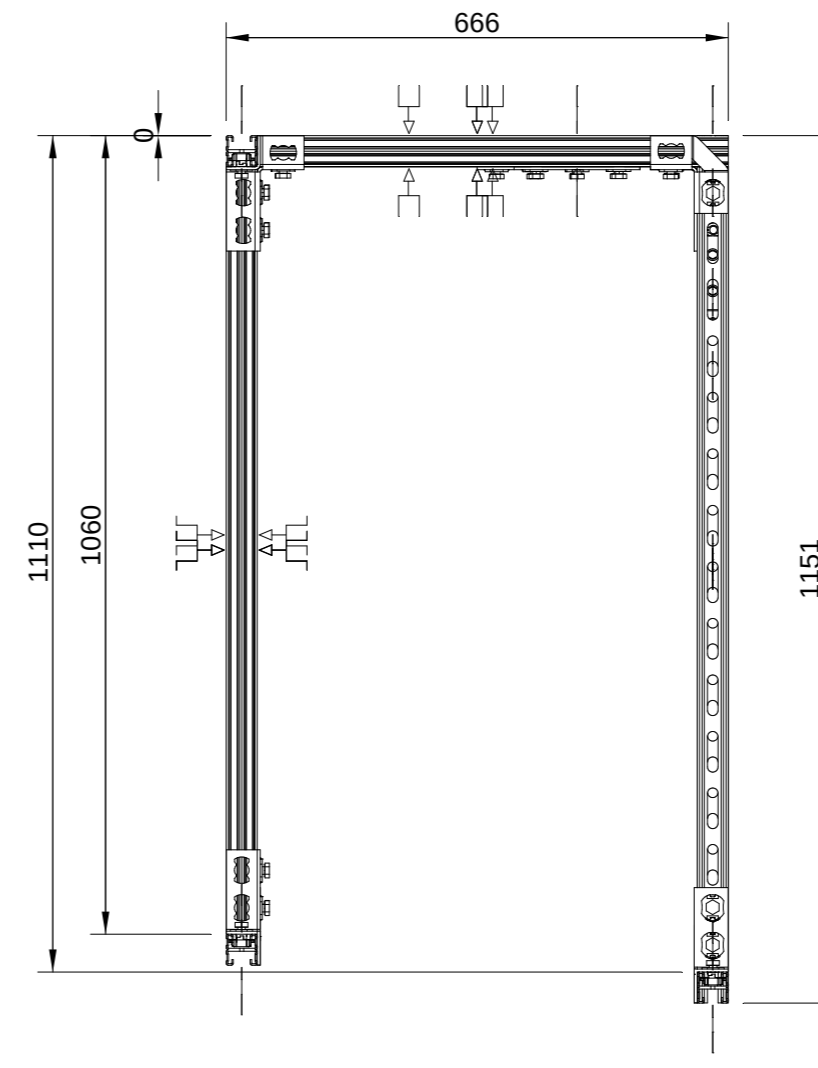
Project  
Liceo Cantonale Bellinzona

Client	Orthographic projection	
	First-angle	
Title, Supplementary title	Document type	
Struttura Moduli A1.1 e A2.1	Progetto preassemblaggio	
Created by	Date of issue	Rev.
Approved by	2025-10-16	1
Format A2	Scale	Sheet
		1/1
	Status	Drawing number
		1

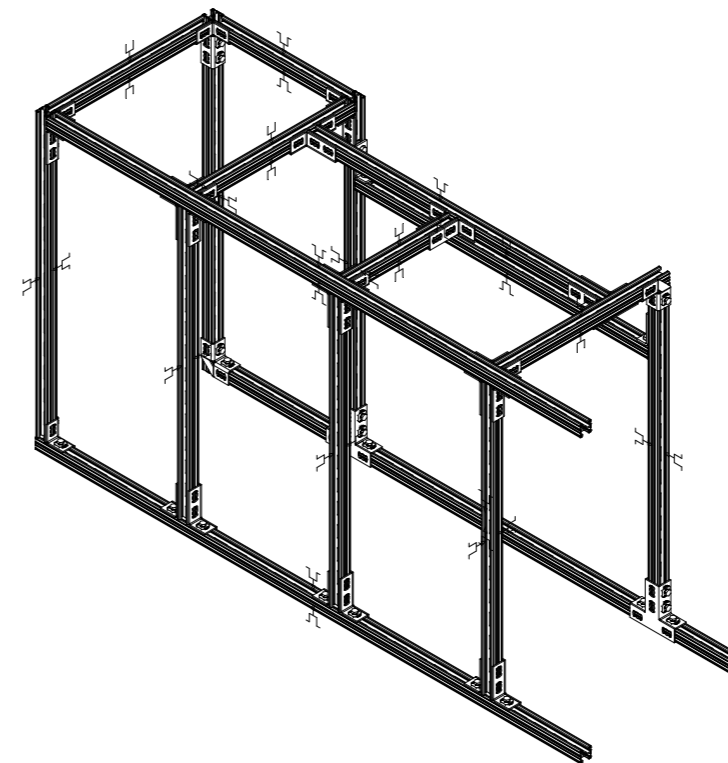
Details (1:10)



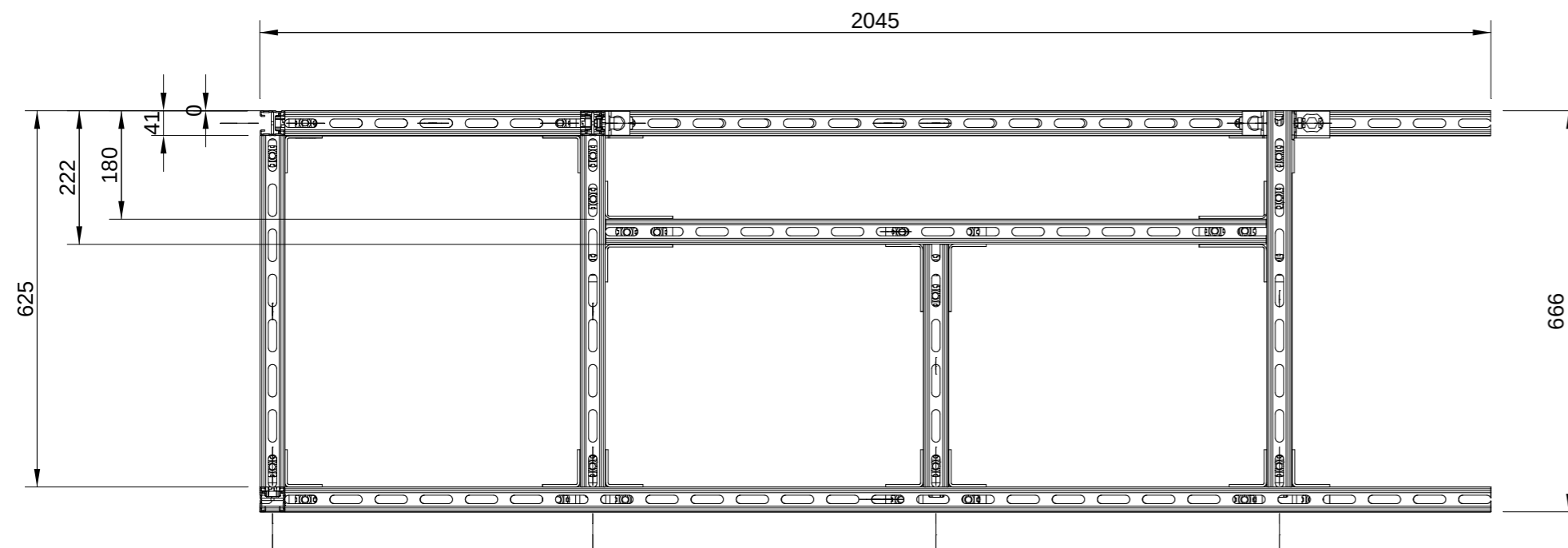
Details (1:10)



Details (1:20)



Details (1:10)



Position	Article No.	Description	Quantity	Length [mm]	Weight [kg]	Cutting Type
Membri						
1	369602	I.-Channel MQ-21 D 6m	1	1068	3.06	N
2	369602	I.-Channel MQ-21 D 6m	1	625	1.79	N
3	369602	I.-Channel MQ-21 D 6m	1	1109	3.18	N
4	369602	I.-Channel MQ-21 D 6m	2	584	3.35	N
5	369602	I.-Channel MQ-21 D 6m	1	1151	3.30	N
6	369602	I.-Channel MQ-21 D 6m	1	1060	3.04	N
7	369602	I.-Channel MQ-21 D 6m	1	2045	5.86	N
8	369602	I.-Channel MQ-21 D 6m	1	2003	5.74	N
9	369602	I.-Channel MQ-21 D 6m	1	2003	5.74	N
10	369602	I.-Channel MQ-21 D 6m	1	491	1.41	N
11	369602	I.-Channel MQ-21 D 6m	1	1099	3.15	N
12	369601	I.-Channel MQ-21 D 3m	1	1097	3.18	N
13	369601	I.-Channel MQ-21 D 3m	3	1018	8.87	N
14	369601	I.-Channel MQ-21 D 3m	1	403	1.17	N
Connettori						
15	369658	4-hole Angle MQW-4	3	-	0.76	-
16	369640	Channel tie MQV-3/2 D	8	-	4.64	-
17	369641	Channel tie MQV-3/3 D	3	-	1.26	-
18	406378	Attachment MF-FL 12	2	-	0.47	-
19	369642	Channel tie MQV-4/3 D	3	-	2.10	-
Altri						
20	2184850	Channel connector MQN-CP	65	-	4.49	-
21	2184534	Hexagon screw M12x25-F DIN 933 8.8 U	6	-	0.21	-
22	2184531	Flat washer 12 13x24x2,5-F ISO 7089 200	6	-	0.04	-
23	304134	Wing nut MQM-M12-F	6	-	0.22	-

Disclaimer

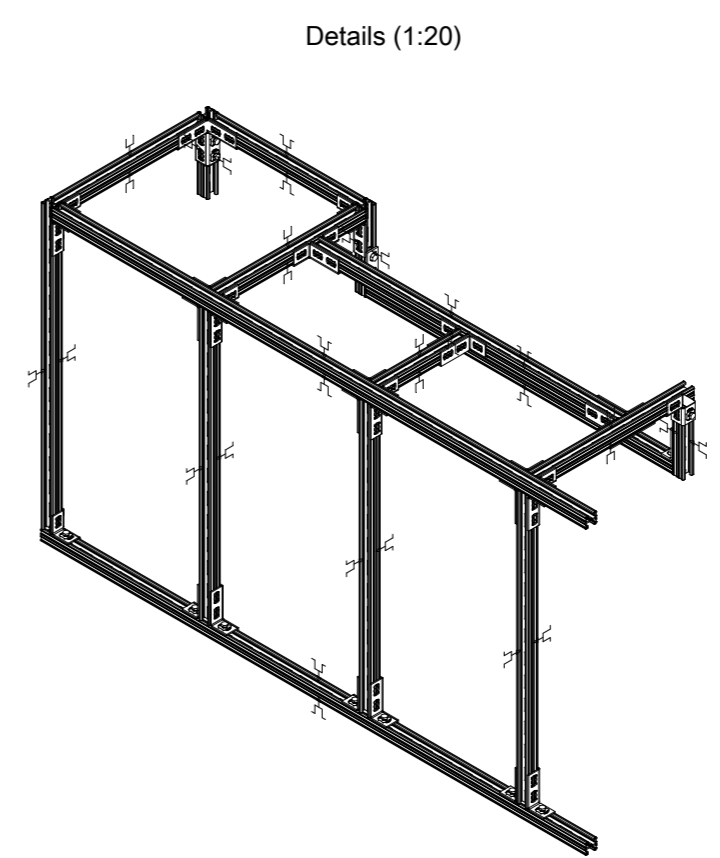
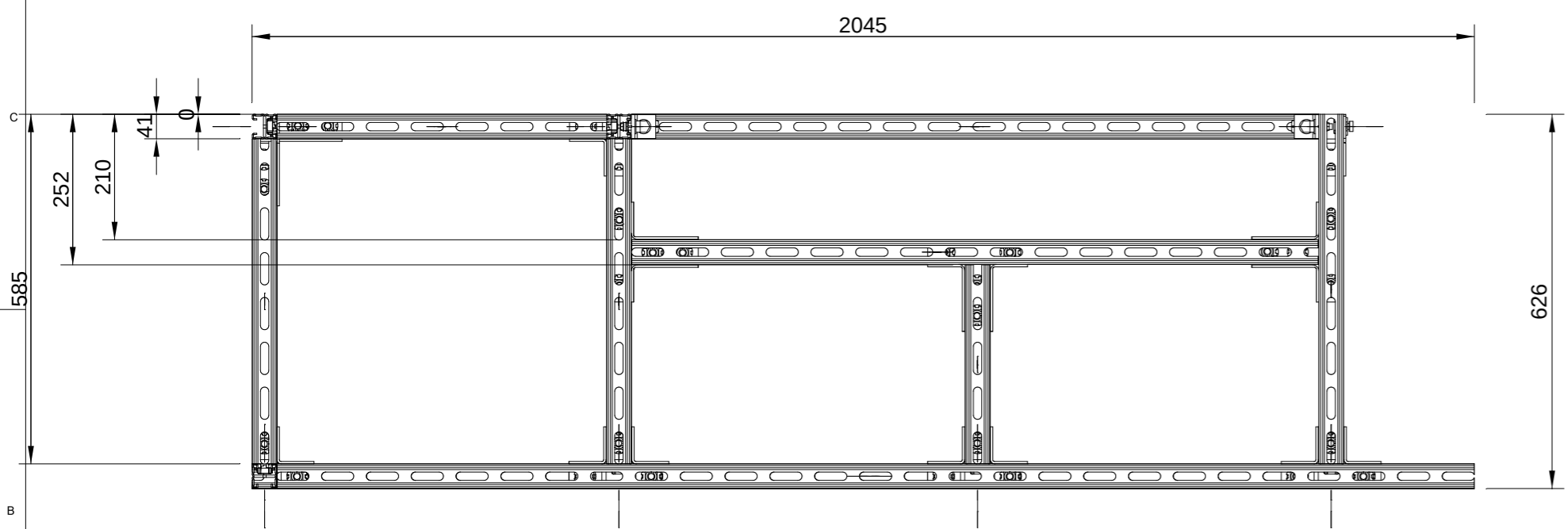
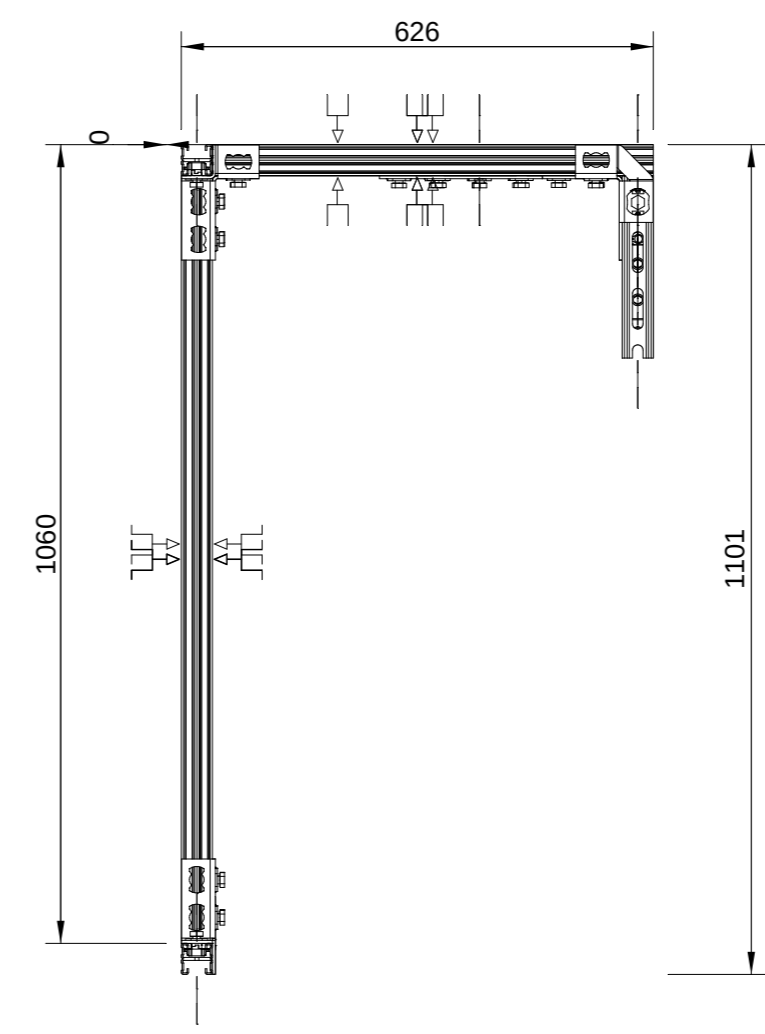
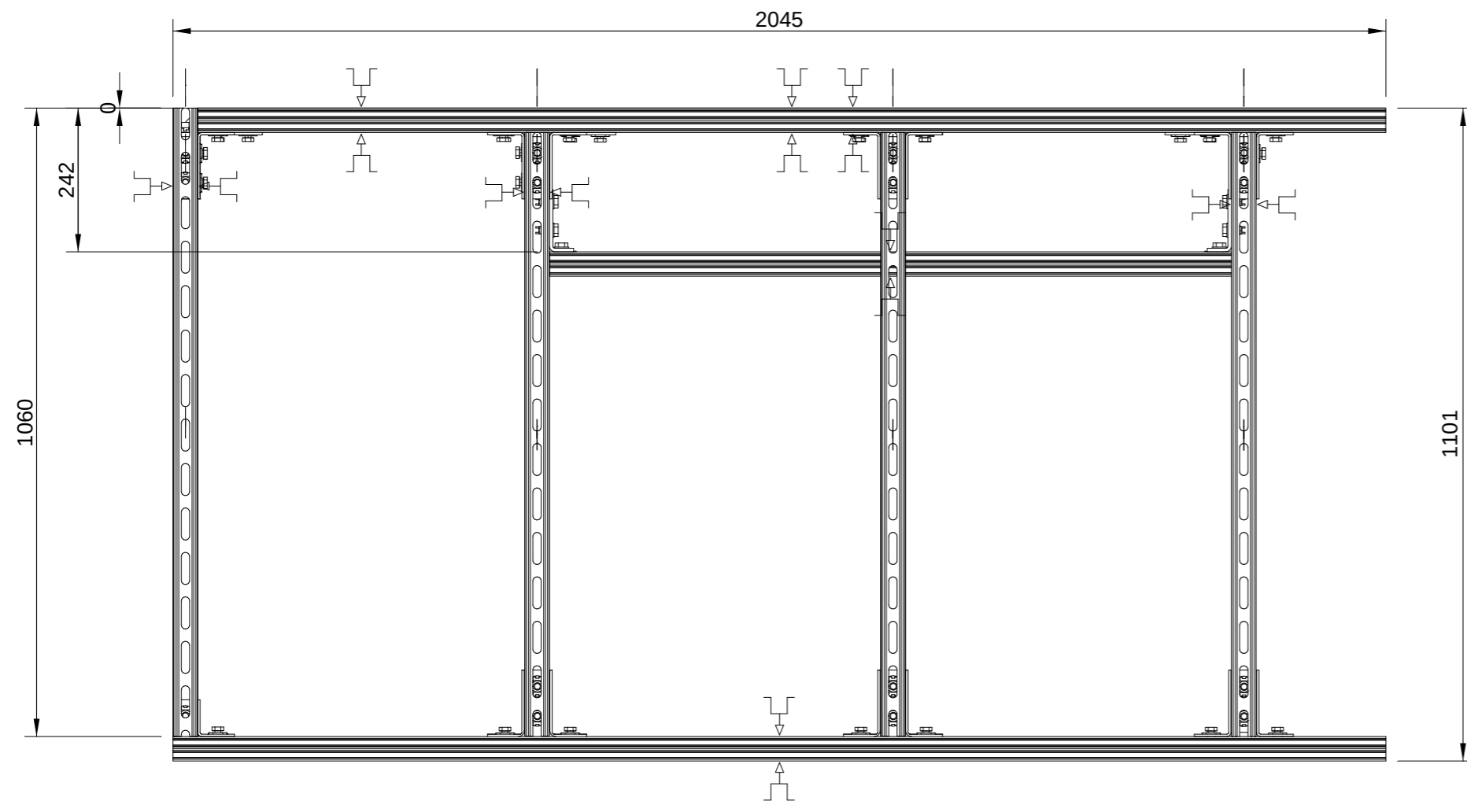
All rights reserved for Hilti. Design refers to Hilti items and may not be transferred to products of other manufacturers. Loading and design criteria provided by Hilti engineer or customer are assumed accurate and not verified within execution. Hilti technical documentation to be used as basis for item selection. Any modification may alter performance and must be evaluated by Hilti engineer or customer.

General notes

1. Dimensions are in millimeters unless otherwise indicated.
2. Cutting and assembly tolerance is +/- 5mm unless otherwise indicated.
3. Item numbering does not correspond with assembly sequence.
4. Refer to Instructions for Use for correct installation.
5. Auxiliary dimensions are represented in italic, small fonts.
6. Check dimensions are represented in bold big fonts.
7. Not to scale dimensions are represented in underlined fonts.
8. CT - cutting type.
9. - channel opening.



Project Liceo Cantonale Bellinzona			
Client -	Orthographic projection First-angle		
Title, Supplementary title -	Document type Progetto preassemblaggio		
Created by -	Date of issue 2025-10-29	Rev. 1	
Approved by -	Scale 1/1	Status -	Sheet 1
Format A2	Drawing number 1		



Position	Article No.	Description	Quantity	Length [mm]	Weight [kg]	Cutting Type
<b>Membrì</b>						
1	369602	I-Channel MQ-21 D 6m	1	242	0.70	N
2	369602	I-Channel MQ-21 D 6m	1	585	1.68	N
3	369602	I-Channel MQ-21 D 6m	1	284	0.81	N
4	369602	I-Channel MQ-21 D 6m	2	544	3.12	N
5	369602	I-Channel MQ-21 D 6m	1	263	0.75	N
6	369602	I-Channel MQ-21 D 6m	1	1060	3.04	N
7	369602	I-Channel MQ-21 D 6m	1	2045	5.86	N
8	369602	I-Channel MQ-21 D 6m	1	2003	5.74	N
9	369602	I-Channel MQ-21 D 6m	1	552	1.58	N
10	369602	I-Channel MQ-21 D 6m	1	1150	3.30	N
11	369602	I-Channel MQ-21 D 6m	1	1148	3.29	N
12	369602	I-Channel MQ-21 D 6m	1	333	0.95	N
13	369601	I-Channel MQ-21 D 3m	2	1018	5.91	N
14	369601	I-Channel MQ-21 D 3m	1	1019	2.96	N
<b>Connettori</b>						
15	369658	4-hole Angle MQW-4	2	-	0.51	-
16	369641	Channel tie MQV-3/3 D	2	-	0.84	-
17	406378	Attachment MF-FL 12	2	-	0.47	-
18	369642	Channel tie MQV-4/3 D	3	-	2.10	-
19	369640	Channel tie MQV-3/2 D	5	-	2.90	-
20	369638	Channel tie MQV-2/2 D	1	-	0.40	-
21	369659	8-hole Angle MQW-8/90	2	-	0.86	-
<b>Altri</b>						
22	2184850	Channel connector MQN-CP	59	-	4.07	-
23	2184534	Hexagon screw M12x25-F DIN 933 8.8 U	6	-	0.21	-
24	2184531	Flat washer 12 13x24x2.5-F ISO 7089 200	6	-	0.04	-
25	304134	Wing nut MQM-M12-F	6	-	0.22	-

**Disclaimer**

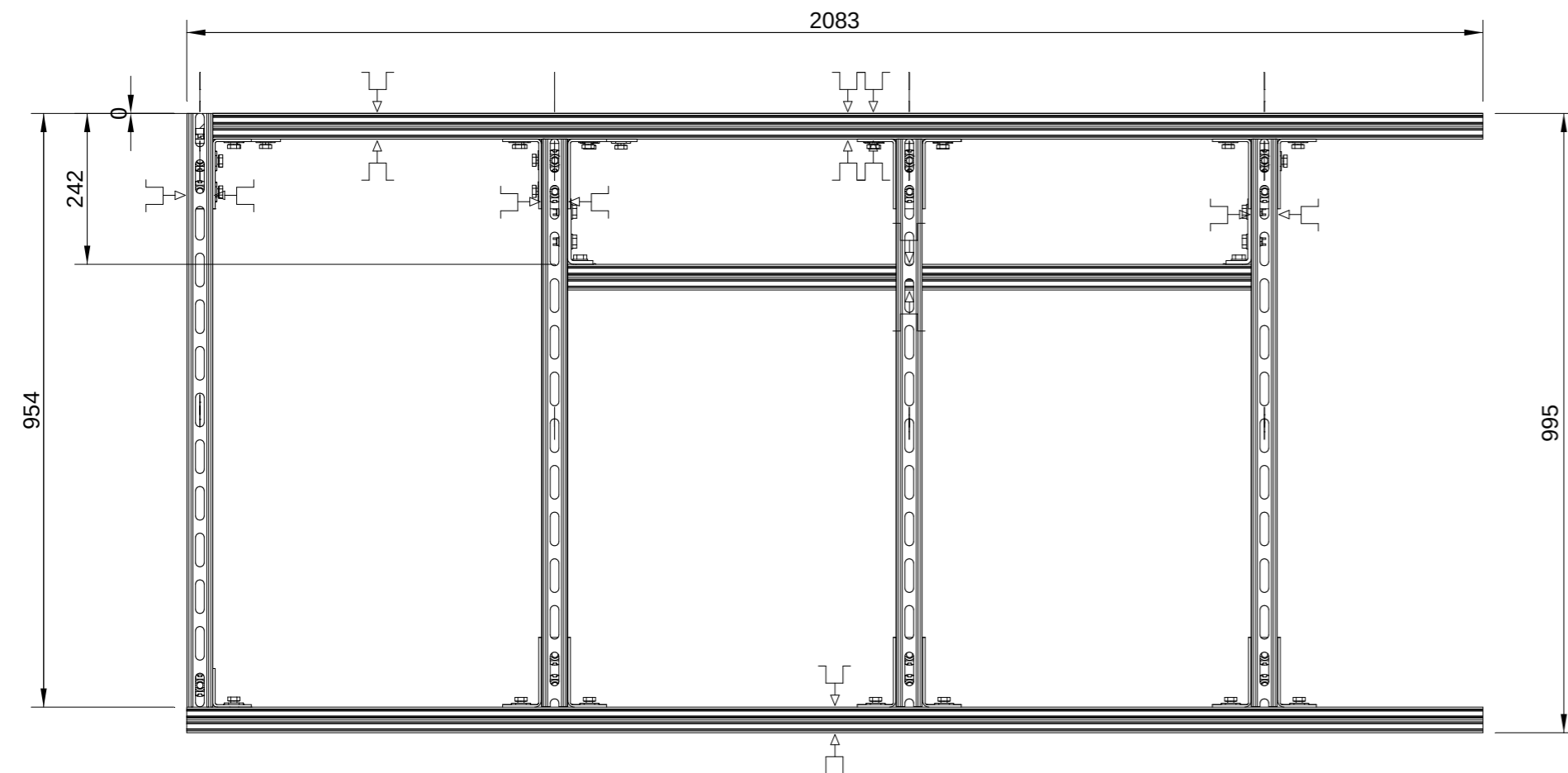
All rights reserved for Hilti. Design refers to Hilti items and may not be transferred to products of other manufacturers. Loading and design criteria provided by Hilti engineer or customer are assumed accurate and not verified within execution. Hilti technical documentation to be used as basis for item selection. Any modification may alter performance and must be evaluated by Hilti engineer or customer.

- General notes**
- Dimensions are in millimeters unless otherwise indicated.
  - Cutting and assembly tolerance is +/- 5mm unless otherwise indicated.
  - Item numbering does not correspond with assembly sequence.
  - Refer to Instructions for Use for correct installation.
  - Auxiliary dimensions are represented in italic, small fonts.
  - Check dimensions are represented in bold big fonts.
  - Not to scale dimensions are represented in underlined fonts.
  - CT - cutting type.
  - CT - channel opening.

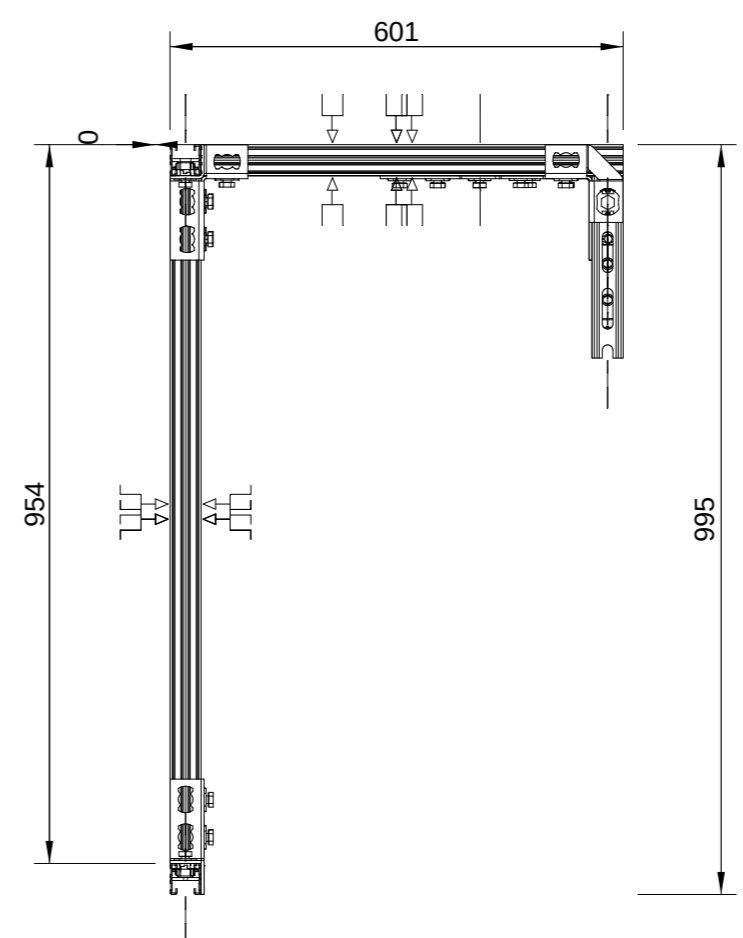


Project Liceo Cantonale Bellinzona			
Client -	Orthographic projection First-angle		
Title, Supplementary title -	Document type Progetto preassemblaggio		
Created by -	Date of issue 2025-10-29	Rev. 1	
Approved by -	Scale 1/1	Status -	Sheet 1
Format A2	Drawing number 1		

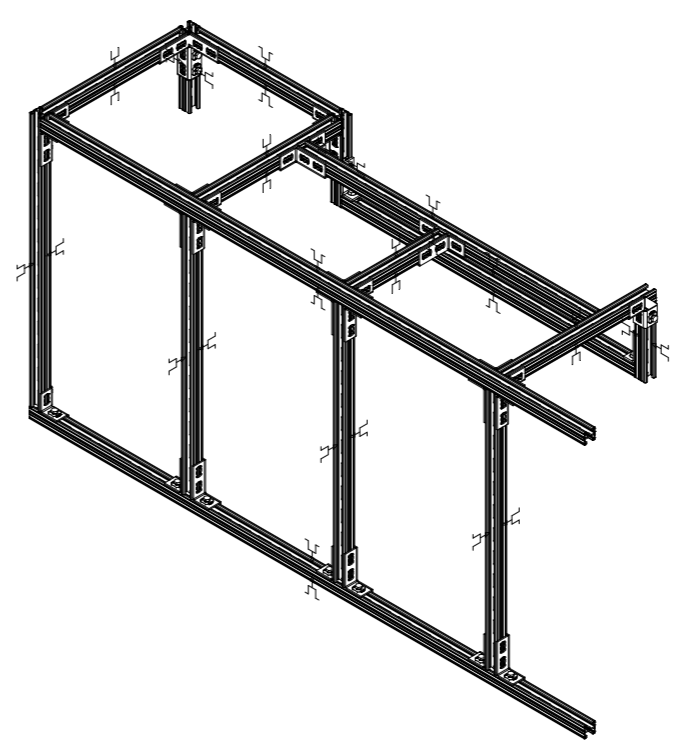
Details (1:10)



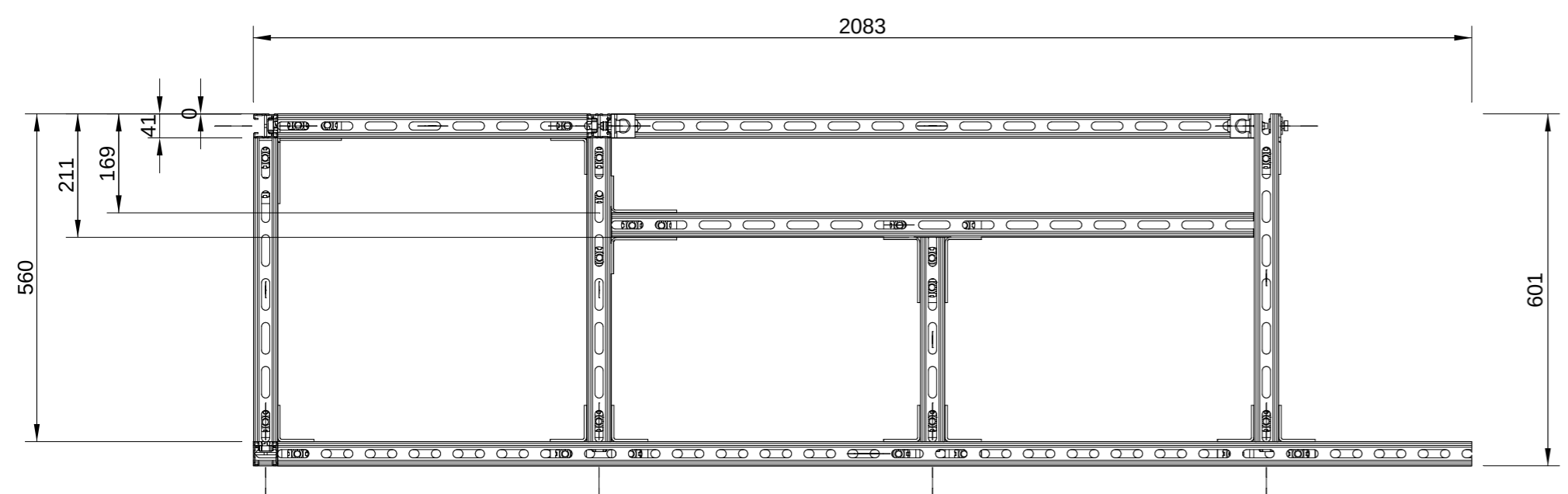
Details (1:10)



Details (1:20)



Details (1:10)



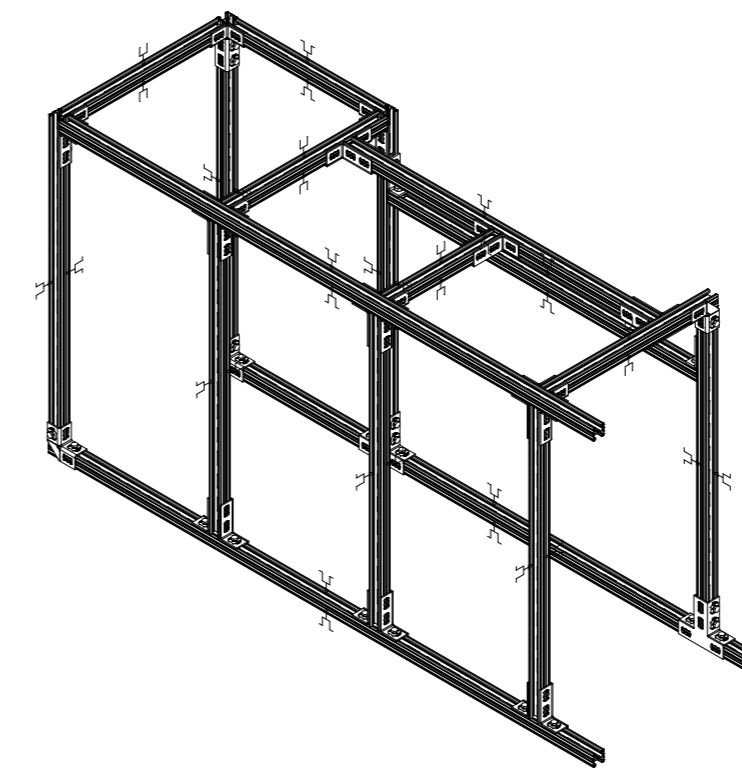
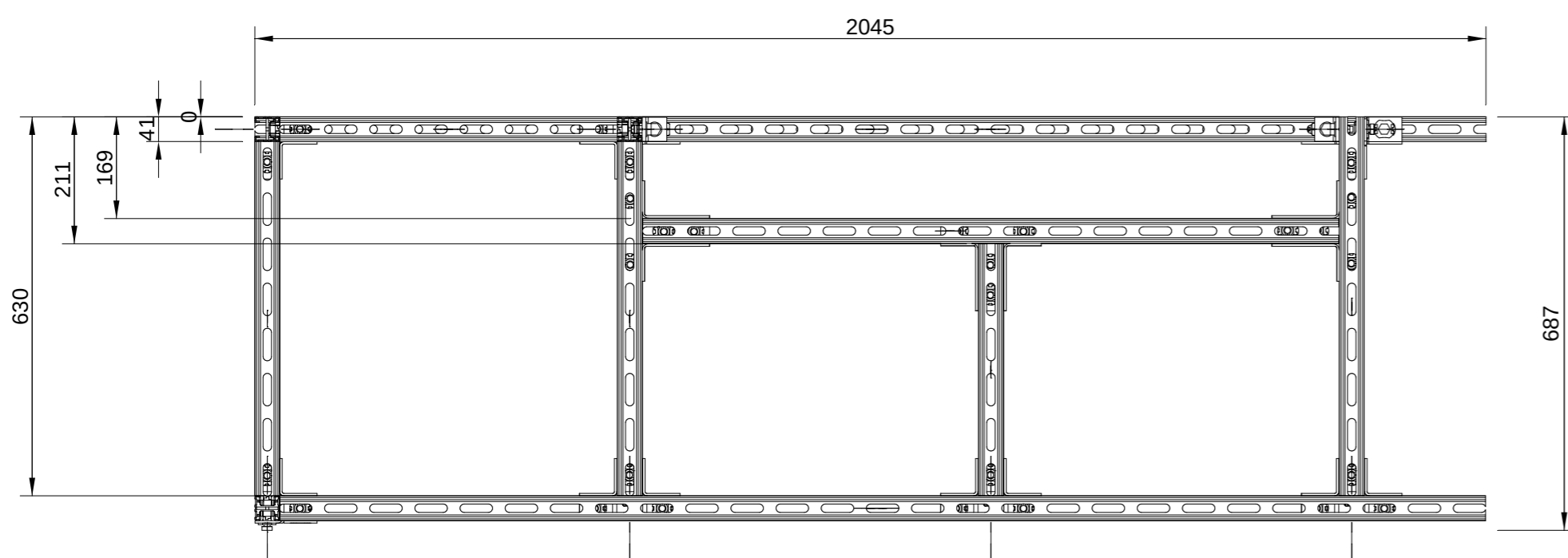
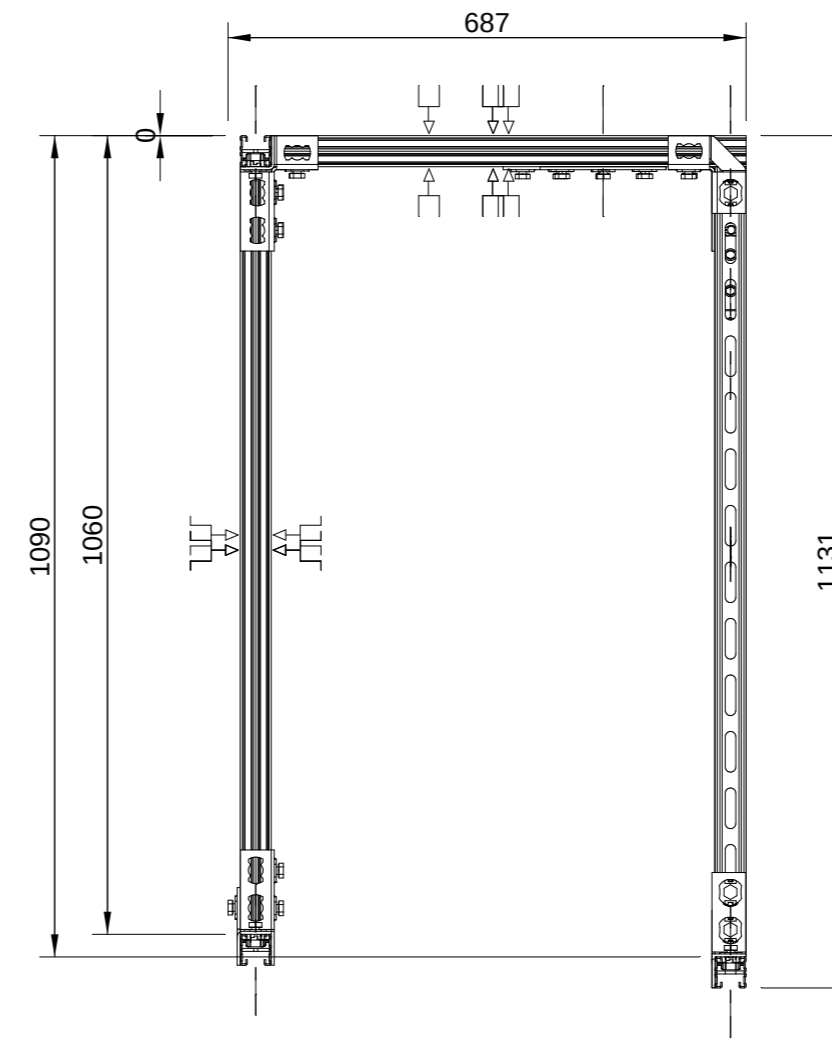
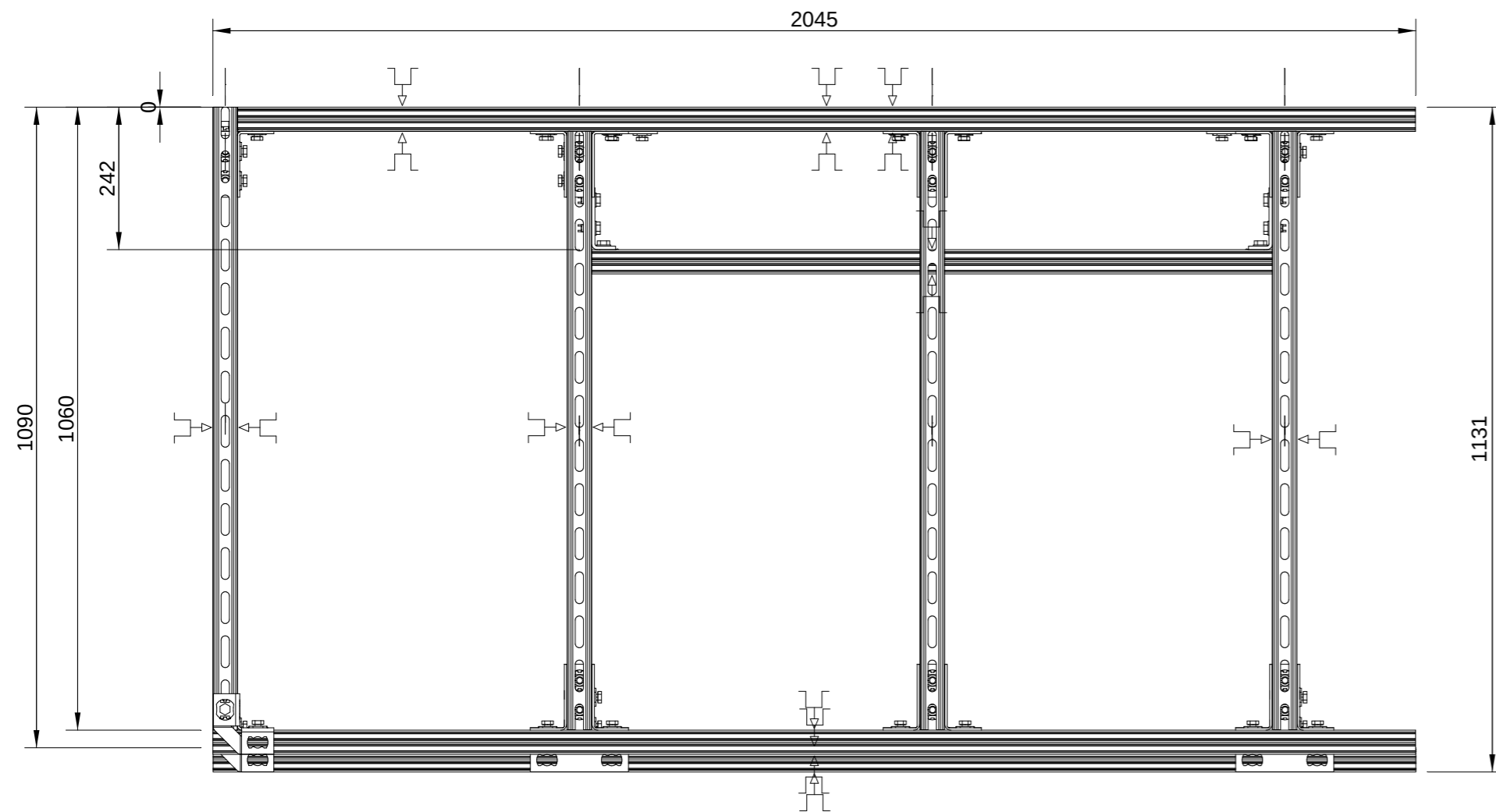
Position	Article No.	Description	Quantity	Length [mm]	Weight [kg]	Cutting Type
Membrì						
1	369602	I.-Channel MQ-21 D 6m	1	242	0.70	N
2	369602	I.-Channel MQ-21 D 6m	1	560	1.61	N
3	369602	I.-Channel MQ-21 D 6m	1	284	0.81	N
4	369602	I.-Channel MQ-21 D 6m	2	519	2.97	N
5	369602	I.-Channel MQ-21 D 6m	1	263	0.75	N
6	369602	I.-Channel MQ-21 D 6m	1	954	2.74	N
7	369602	I.-Channel MQ-21 D 6m	1	2083	5.97	N
8	369602	I.-Channel MQ-21 D 6m	1	2041	5.85	N
9	369602	I.-Channel MQ-21 D 6m	1	529	1.52	N
10	369602	I.-Channel MQ-21 D 6m	1	1099	3.15	N
11	369601	I.-Channel MQ-21 D 3m	1	1097	3.18	N
12	369601	I.-Channel MQ-21 D 3m	3	912	7.94	N
13	369601	I.-Channel MQ-21 D 3m	1	349	1.01	N
Connettori						
14	369658	4-hole Angle MQW-4	2	-	0.51	-
15	369641	Channel tie MQV-3/3 D	2	-	0.84	-
16	406378	Attachment MF-FL 12	2	-	0.47	-
17	369640	Channel tie MQV-3/2 D	7	-	4.06	-
18	369642	Channel tie MQV-4/3 D	3	-	2.10	-
19	369659	8-hole Angle MQW-8/90	2	-	0.86	-
Altri						
20	2184850	Channel connector MQN-CP	63	-	4.35	-
21	2184534	Hexagon screw M12x25-F DIN 933 8.8 U	6	-	0.21	-
22	2184531	Flat washer 12 13x24x2,5-F ISO 7089 200	6	-	0.04	-
23	304134	Wing nut MQM-M12-F	6	-	0.22	-

**Disclaimer**  
 All rights reserved for Hilti. Design refers to Hilti items and may not be transferred to products of other manufacturers. Loading and design criteria provided by Hilti engineer or customer are assumed accurate and not verified within execution. Hilti technical documentation to be used as basis for item selection. Any modification may alter performance and must be evaluated by Hilti engineer or customer.

- General notes**
- Dimensions are in millimeters unless otherwise indicated.
  - Cutting and assembly tolerance is +/- 5mm unless otherwise indicated.
  - Item numbering does not correspond with assembly sequence.
  - Refer to Instructions for Use for correct installation.
  - Auxiliary dimensions are represented in italic, small fonts.
  - Check dimensions are represented in bold big fonts.
  - Not to scale dimensions are represented in underlined fonts.
  - CT - cutting type.
  - U - channel opening.



Project Liceo Cantonale Bellinzona			
Client -	Orthographic projection First-angle		
Title, Supplementary title -	Document type Progetto preassemblaggio		
Created by -	Date of issue 2025-10-29	Rev. 1	
Approved by -	Scale 1/1	Status -	Sheet 1
Format A2	Drawing number 1		



Position	Article No.	Description	Quantity	Length [mm]	Weight [kg]	Cutting Type
Membri						
1	369602	I.-Channel MQ-21 D 6m	1	1048	3.00	N
2	369602	I.-Channel MQ-21 D 6m	1	630	1.81	N
3	369602	I.-Channel MQ-21 D 6m	1	1089	3.12	N
4	369602	I.-Channel MQ-21 D 6m	2	589	3.38	N
5	369602	I.-Channel MQ-21 D 6m	1	1090	3.12	N
6	369602	I.-Channel MQ-21 D 6m	1	1060	3.04	N
7	369602	I.-Channel MQ-21 D 6m	1	2045	5.86	N
8	369602	I.-Channel MQ-21 D 6m	1	2045	5.86	N
9	369602	I.-Channel MQ-21 D 6m	1	2003	5.74	N
10	369602	I.-Channel MQ-21 D 6m	1	561	1.61	N
11	369602	I.-Channel MQ-21 D 6m	1	1158	3.32	N
12	369601	I.-Channel MQ-21 D 3m	1	1156	3.36	N
13	369601	I.-Channel MQ-21 D 3m	3	1018	8.87	N
14	369601	I.-Channel MQ-21 D 3m	1	419	1.22	N
Connettori						
15	369658	4-hole Angle MQW-4	3	-	0.76	-
16	369640	Channel tie MQV-3/2 D	8	-	4.64	-
17	369641	Channel tie MQV-3/3 D	3	-	1.26	-
18	406378	Attachment MF-FL 12	2	-	0.47	-
19	369642	Channel tie MQV-4/3 D	3	-	2.10	-
Altri						
20	2184850	Channel connector MQN-CP	65	-	4.49	-
21	2184534	Hexagon screw M12x25-F DIN 933 8.8 U	6	-	0.21	-
22	2184531	Flat washer 12 13x24x2,5-F ISO 7089 200	6	-	0.04	-
23	304134	Wing nut MQM-M12-F	6	-	0.22	-

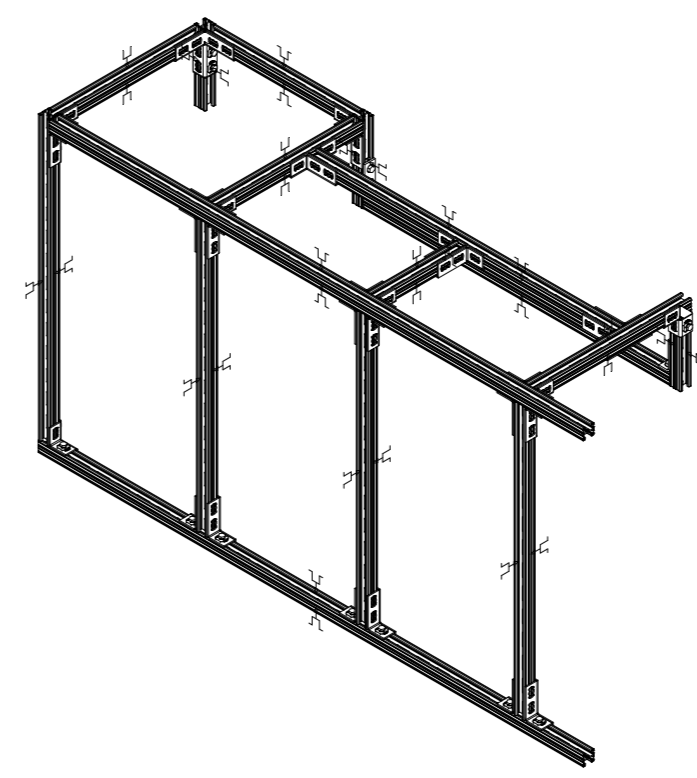
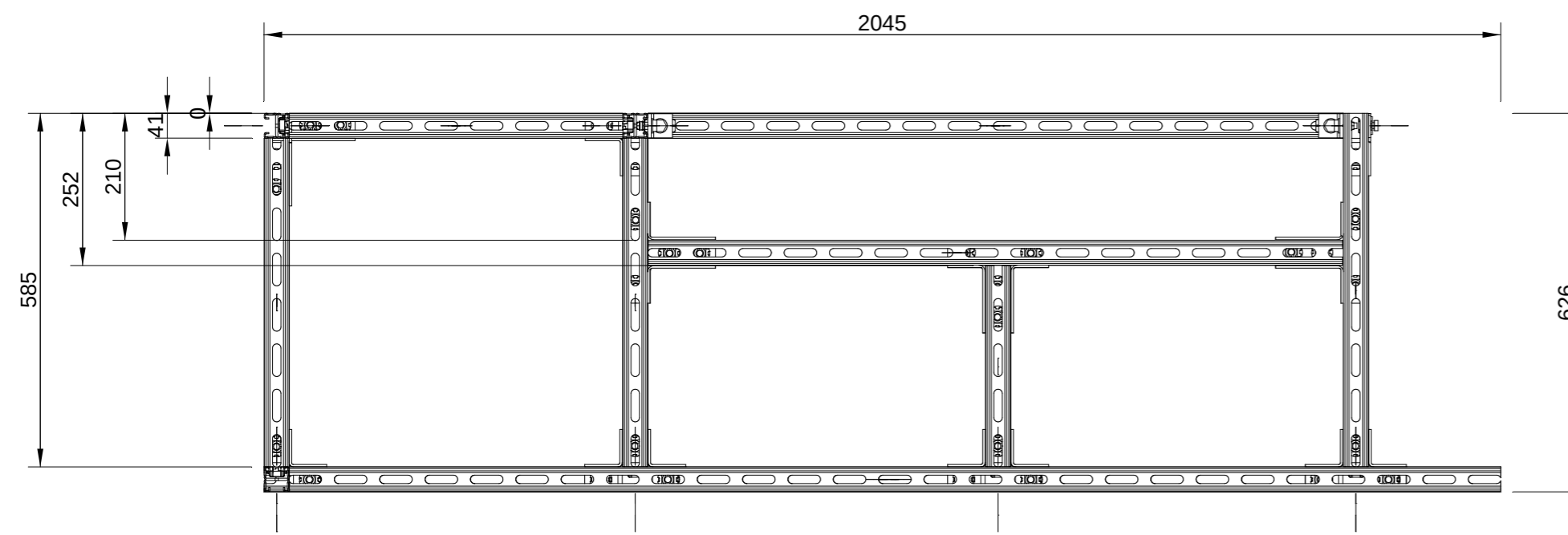
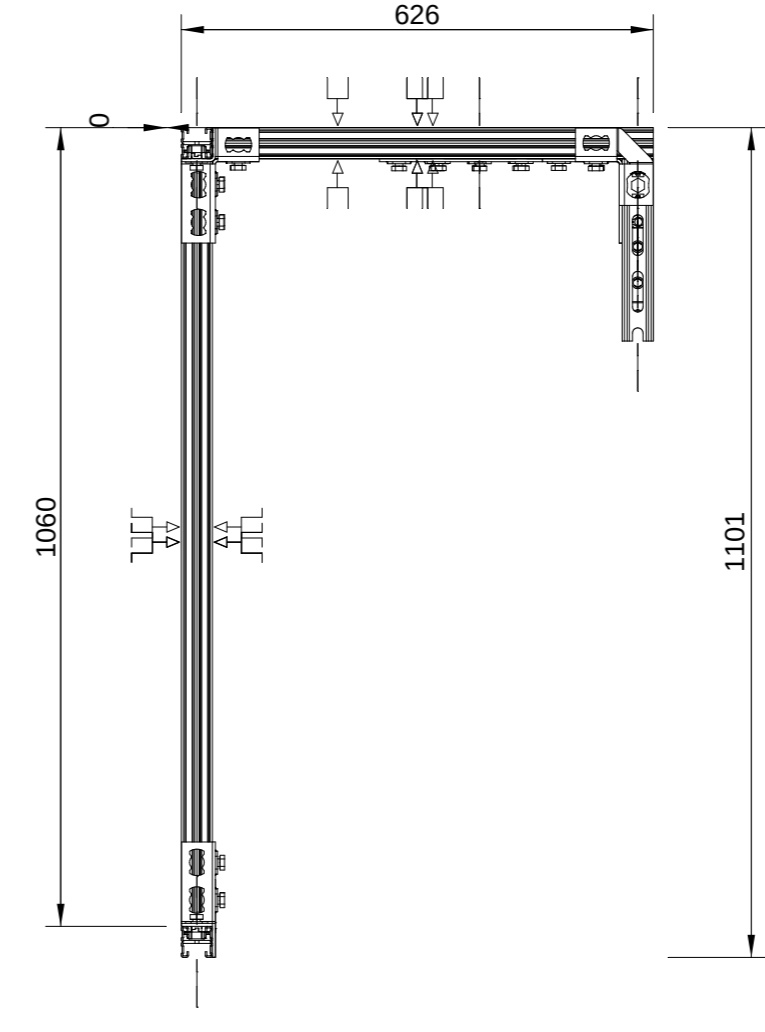
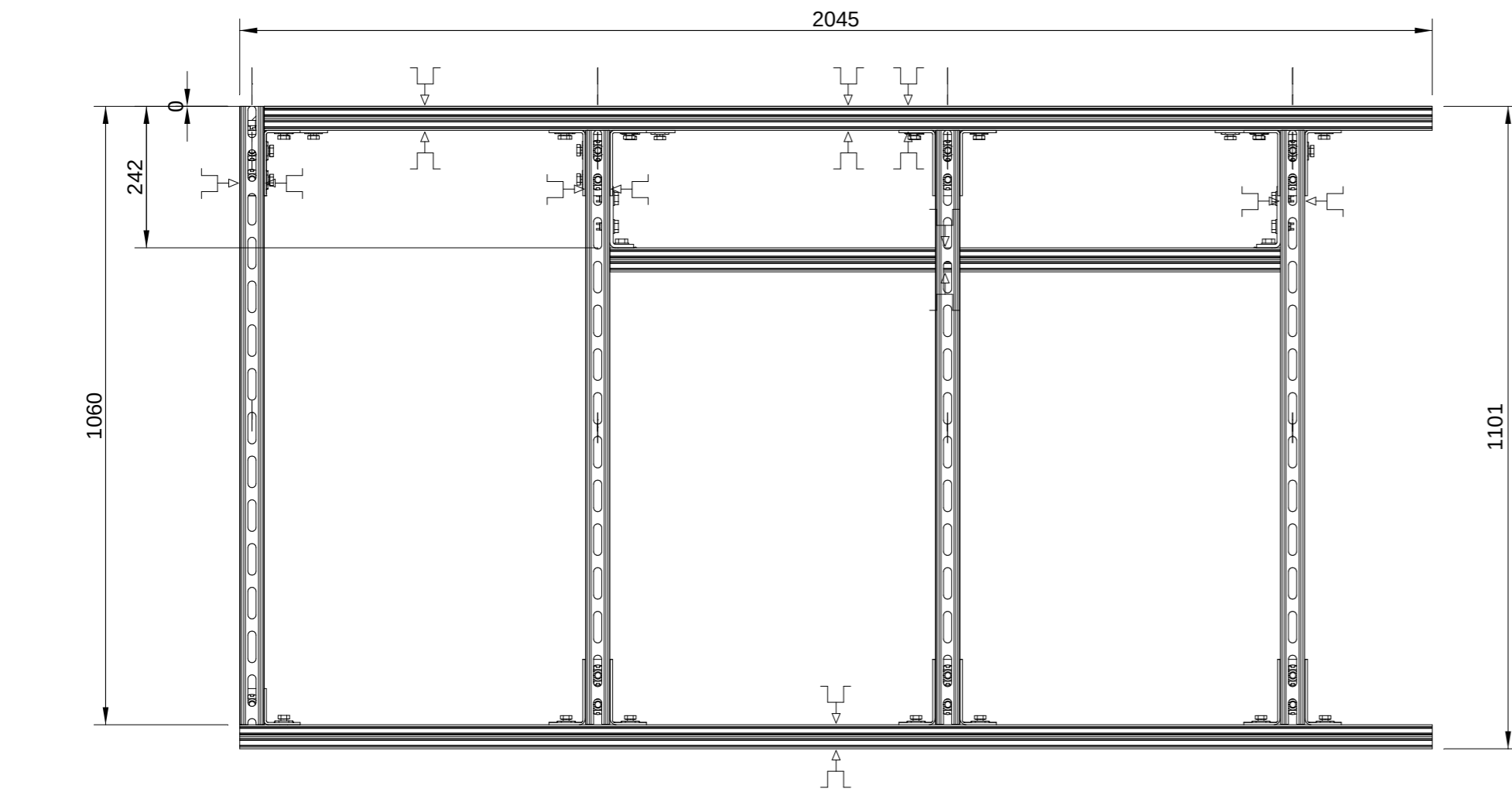
**Disclaimer**

All rights reserved for Hilti. Design refers to Hilti items and may not be transferred to products of other manufacturers. Loading and design criteria provided by Hilti engineer or customer are assumed accurate and not verified within execution. Hilti technical documentation to be used as basis for item selection. Any modification may alter performance and must be evaluated by Hilti engineer or customer.

- General notes**
1. Dimensions are in millimeters unless otherwise indicated.
  2. Cutting and assembly tolerance is +/- 5mm unless otherwise indicated.
  3. Item numbering does not correspond with assembly sequence.
  4. Refer to Instructions for Use for correct installation.
  5. Auxiliary dimensions are represented in italic, small fonts.
  6. Check dimensions are represented in bold big fonts.
  7. Not to scale dimensions are represented in underlined fonts.
  8. CT - cutting type.
  9. - channel opening.



Project Liceo Cantonale Bellinzona			
Client -	Orthographic projection First-angle		
Title, Supplementary title -	Document type Progetto preassemblaggio		
Struttura Moduli A3.1		Date of issue 2025-10-29	Rev. 1
Created by -		Approved by -	
Format A2	Scale -	Status -	Sheet 1/1
			Drawing number 1



Position	Article No.	Description	Quantity	Length [mm]	Weight [kg]	Cutting Type
<b>Membri</b>						
1	369602	I.-Channel MQ-21 D 6m	1	242	0.70	N
2	369602	I.-Channel MQ-21 D 6m	1	585	1.68	N
3	369602	I.-Channel MQ-21 D 6m	1	284	0.81	N
4	369602	I.-Channel MQ-21 D 6m	2	544	3.12	N
5	369602	I.-Channel MQ-21 D 6m	1	263	0.75	N
6	369602	I.-Channel MQ-21 D 6m	1	1060	3.04	N
7	369602	I.-Channel MQ-21 D 6m	1	2045	5.86	N
8	369602	I.-Channel MQ-21 D 6m	1	2003	5.74	N
9	369602	I.-Channel MQ-21 D 6m	1	552	1.58	N
10	369602	I.-Channel MQ-21 D 6m	1	1150	3.30	N
11	369602	I.-Channel MQ-21 D 6m	1	1148	3.29	N
12	369602	I.-Channel MQ-21 D 6m	1	333	0.95	N
13	369601	I.-Channel MQ-21 D 3m	3	1018	8.87	N
<b>Connettori</b>						
14	369658	4-hole Angle MQW-4	2	-	0.51	-
15	369641	Channel tie MQV-3/3 D	2	-	0.84	-
16	406378	Attachment MF-FL 12	2	-	0.47	-
17	369642	Channel tie MQV-4/3 D	3	-	2.10	-
18	369640	Channel tie MQV-3/2 D	6	-	3.48	-
19	369659	8-hole Angle MQW-8/90	2	-	0.86	-
<b>Altri</b>						
20	2184850	Channel connector MQN-CP	59	-	4.07	-
21	2184534	Hexagon screw M12x25-F DIN 933 8.8 U	6	-	0.21	-
22	2184531	Flat washer 12 13x24x2,5-F ISO 7089 200	6	-	0.04	-
23	304134	Wing nut MQM-M12-F	6	-	0.22	-

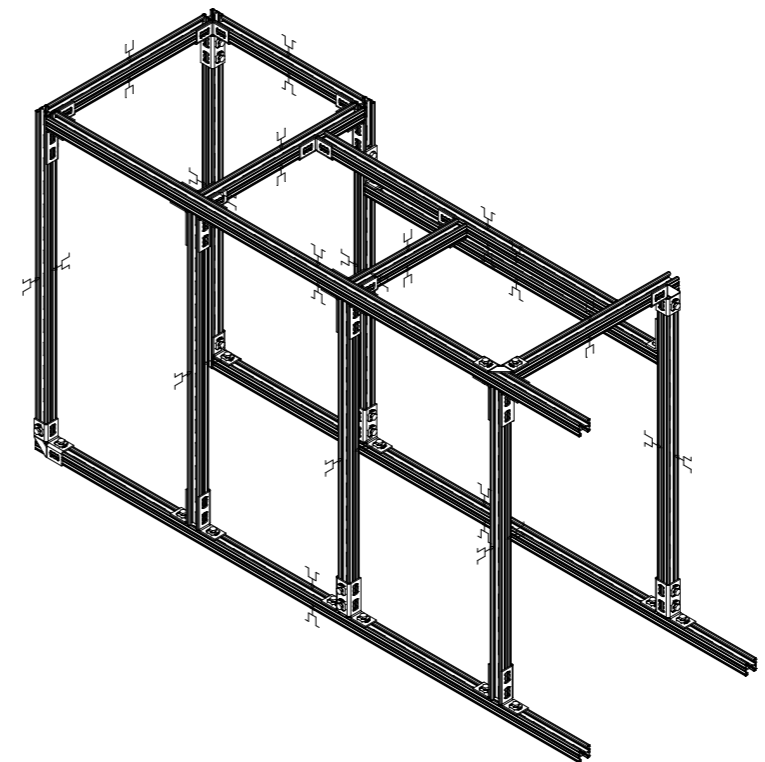
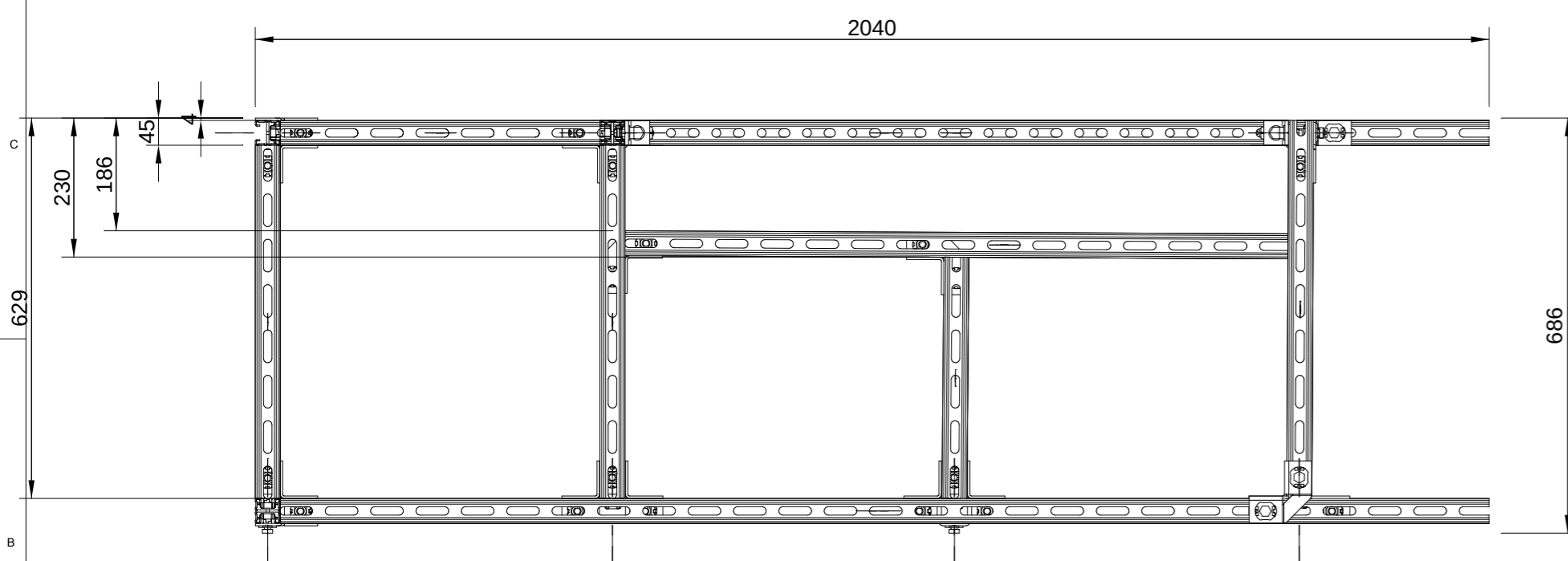
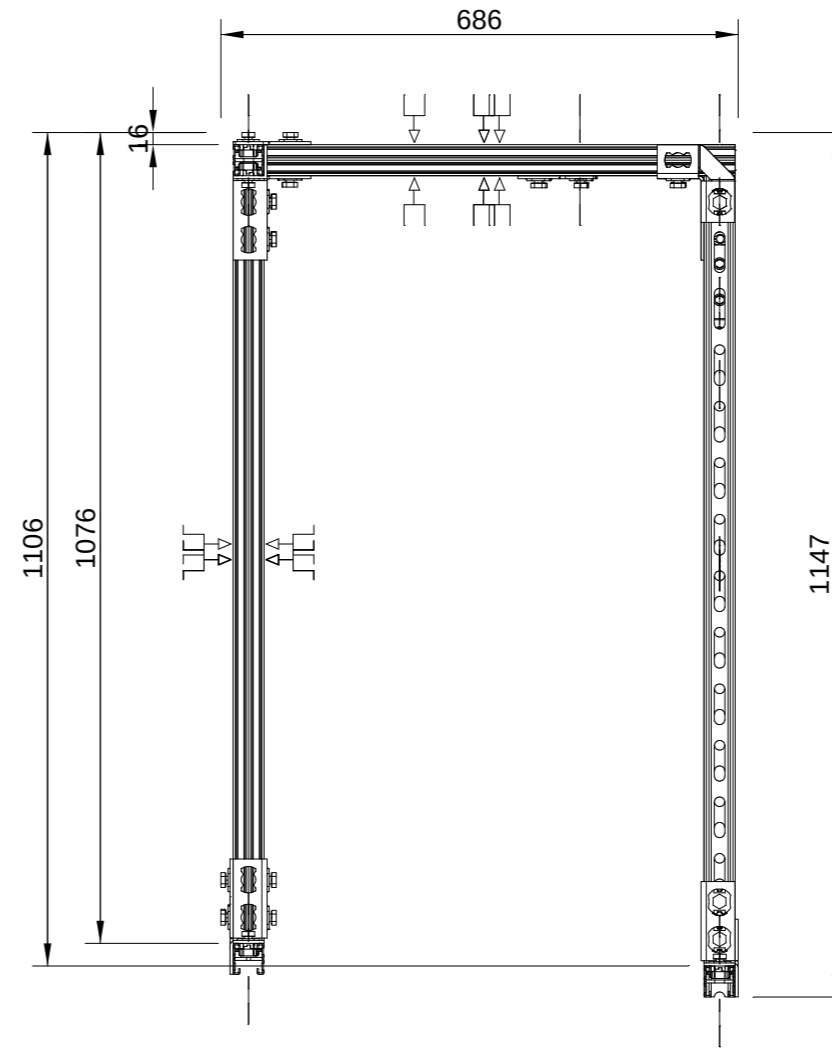
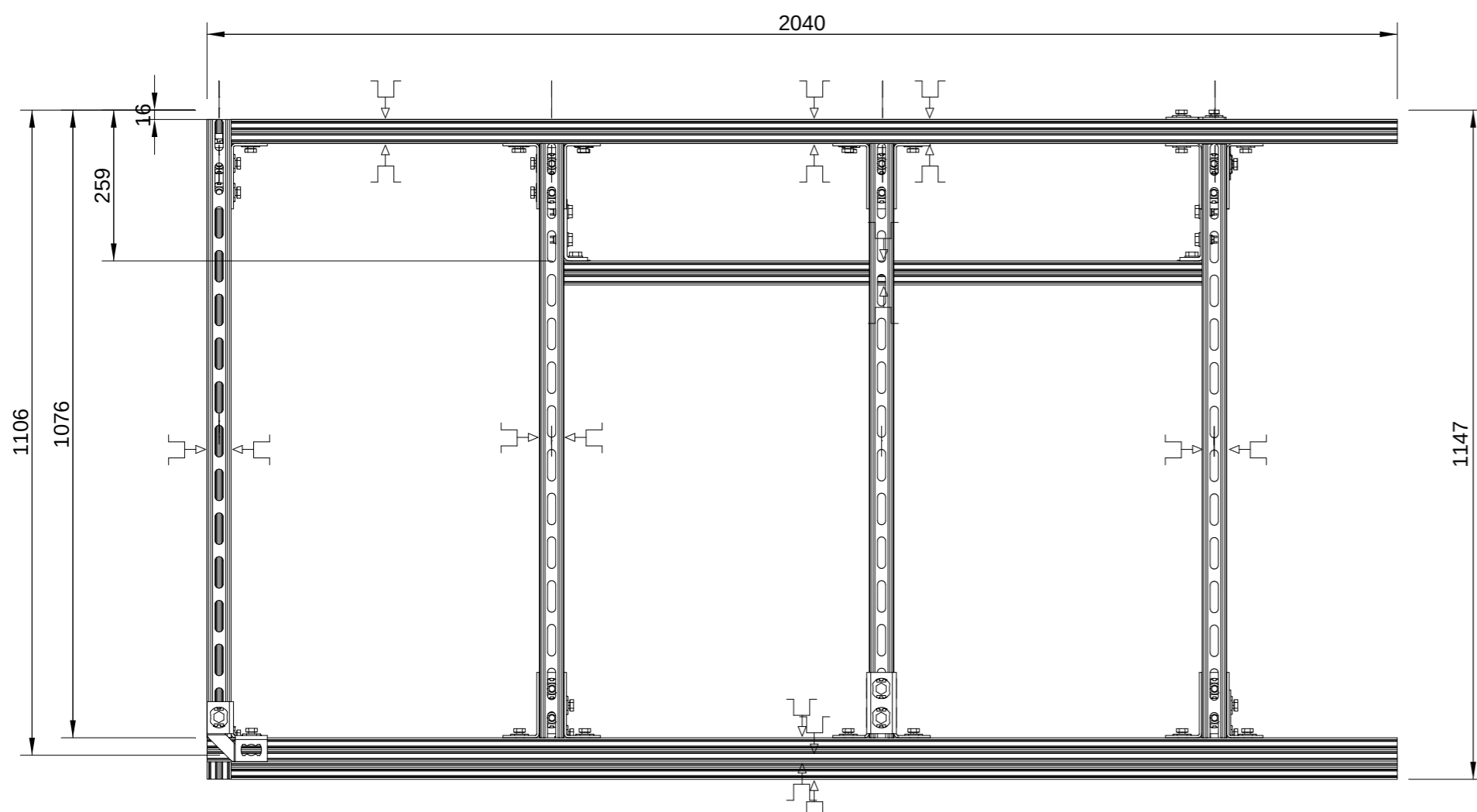
**Disclaimer**

All rights reserved for Hilti. Design refers to Hilti items and may not be transferred to products of other manufacturers. Loading and design criteria provided by Hilti engineer or customer are assumed accurate and not verified within execution. Hilti technical documentation to be used as basis for item selection. Any modification may alter performance and must be evaluated by Hilti engineer or customer.

- General notes**
- Dimensions are in millimeters unless otherwise indicated.
  - Cutting and assembly tolerance is +/- 5mm unless otherwise indicated.
  - Item numbering does not correspond with assembly sequence.
  - Refer to Instructions for Use for correct installation.
  - Auxiliary dimensions are represented in italic, small fonts.
  - Check dimensions are represented in bold big fonts.
  - Not to scale dimensions are represented in underlined fonts.
  - CT - cutting type
  - CT - cutting type
  - CT - channel opening



Project Liceo Cantonale Bellinzona			
Client -	Orthographic projection		
	First-angle		
Title, Supplementary title -	Document type		
Struttura Moduli A3.2 Trave -	Progetto preassemblaggio		
Created by -	Date of issue 2025-10-29	Rev. 1	
Approved by -	Scale -	Status -	Sheet 1/1
Format A2	Drawing number 1		



Position	Article No.	Description	Quantity	Length [mm]	Weight [kg]	Cutting Type
Membri						
1	369602	I.-Channel MQ-21 D 6m	1	1049	3.01	N
2	369602	I.-Channel MQ-21 D 6m	1	625	1.79	N
3	369602	I.-Channel MQ-21 D 6m	1	1090	3.13	N
4	369602	I.-Channel MQ-21 D 6m	2	584	3.35	N
5	369602	I.-Channel MQ-21 D 6m	1	1131	3.24	N
6	369602	I.-Channel MQ-21 D 6m	1	1060	3.04	N
7	369602	I.-Channel MQ-21 D 6m	1	2040	5.85	N
8	369602	I.-Channel MQ-21 D 6m	1	1999	5.73	N
9	369602	I.-Channel MQ-21 D 6m	1	1999	5.73	N
10	369602	I.-Channel MQ-21 D 6m	1	529	1.52	N
11	369602	I.-Channel MQ-21 D 6m	1	1097	3.15	N
12	369602	I.-Channel MQ-21 D 6m	1	1096	3.14	N
13	369602	I.-Channel MQ-21 D 6m	1	399	1.14	N
14	369601	I.-Channel MQ-21 D 3m	2	1019	5.92	N
15	369601	I.-Channel MQ-21 D 3m	1	1018	2.96	N
Connettori						
16	369658	4-hole Angle MQW-4	6	-	1.52	-
17	369638	Channel tie MQV-2/2 D	5	-	2.00	-
18	369641	Channel tie MQV-3/3 D	3	-	1.26	-
19	406378	Attachment MF-FL 12	2	-	0.47	-
20	369642	Channel tie MQV-4/3 D	2	-	1.40	-
21	369640	Channel tie MQV-3/2 D	2	-	1.16	-
Altri						
22	2184850	Channel connector MQN-CP	62	-	4.28	-
23	2184534	Hexagon screw M12x25-F DIN 933 8.8 U	6	-	0.21	-
24	2184531	Flat washer 12 13x24x2,5-F ISO 7089 200	6	-	0.04	-
25	304134	Wing nut MQM-M12-F	6	-	0.22	-

**Disclaimer**  
 All rights reserved for Hilti. Design refers to Hilti items and may not be transferred to products of other manufacturers. Loading and design criteria provided by Hilti engineer or customer are assumed accurate and not verified within execution. Hilti technical documentation to be used as basis for item selection. Any modification may alter performance and must be evaluated by Hilti engineer or customer.

- General notes**
- Dimensions are in millimeters unless otherwise indicated.
  - Cutting and assembly tolerance is +/- 5mm unless otherwise indicated.
  - Item numbering does not correspond with assembly sequence.
  - Refer to Instructions for Use for correct installation.
  - Auxiliary dimensions are represented in italic, small fonts.
  - Check dimensions are represented in bold big fonts.
  - Not to scale dimensions are represented in underlined fonts.
  - CT - cutting type.
  - CT - cutting type.
  - CT - cutting type.



Project Liceo Cantonale Bellinzona			
Client -	Orthographic projection First-angle		
Title, Supplementary title -	Document type Progetto preassemblaggio		
Created by -	Date of issue 2025-10-29	Rev. 1	
Approved by -	Format A2	Scale -	Status -
	Sheet 1/1	Drawing number 1	